

RPM-AC FINNED FRAME VARIABLE SPEED ALTERNATING CURRENT MOTOR FL4440Z

ENCLOSURE: TOTALLY ENCLOSED

COOLING: BLOWER COOLED

MOUNTING: FOOT

ACCESSORIES: PROVISIONS FOR TACHOMETER MOUNTING ONLY WHEN SPECIFIED

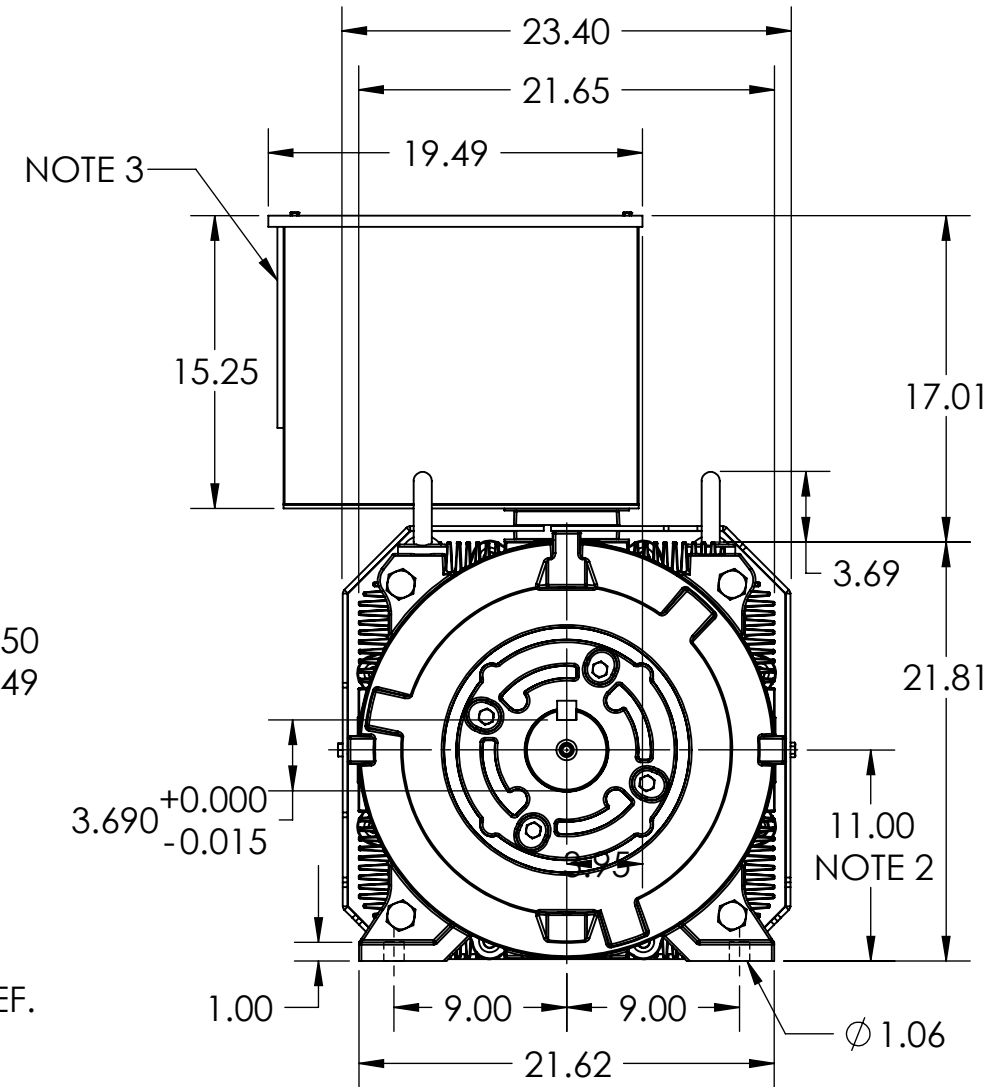
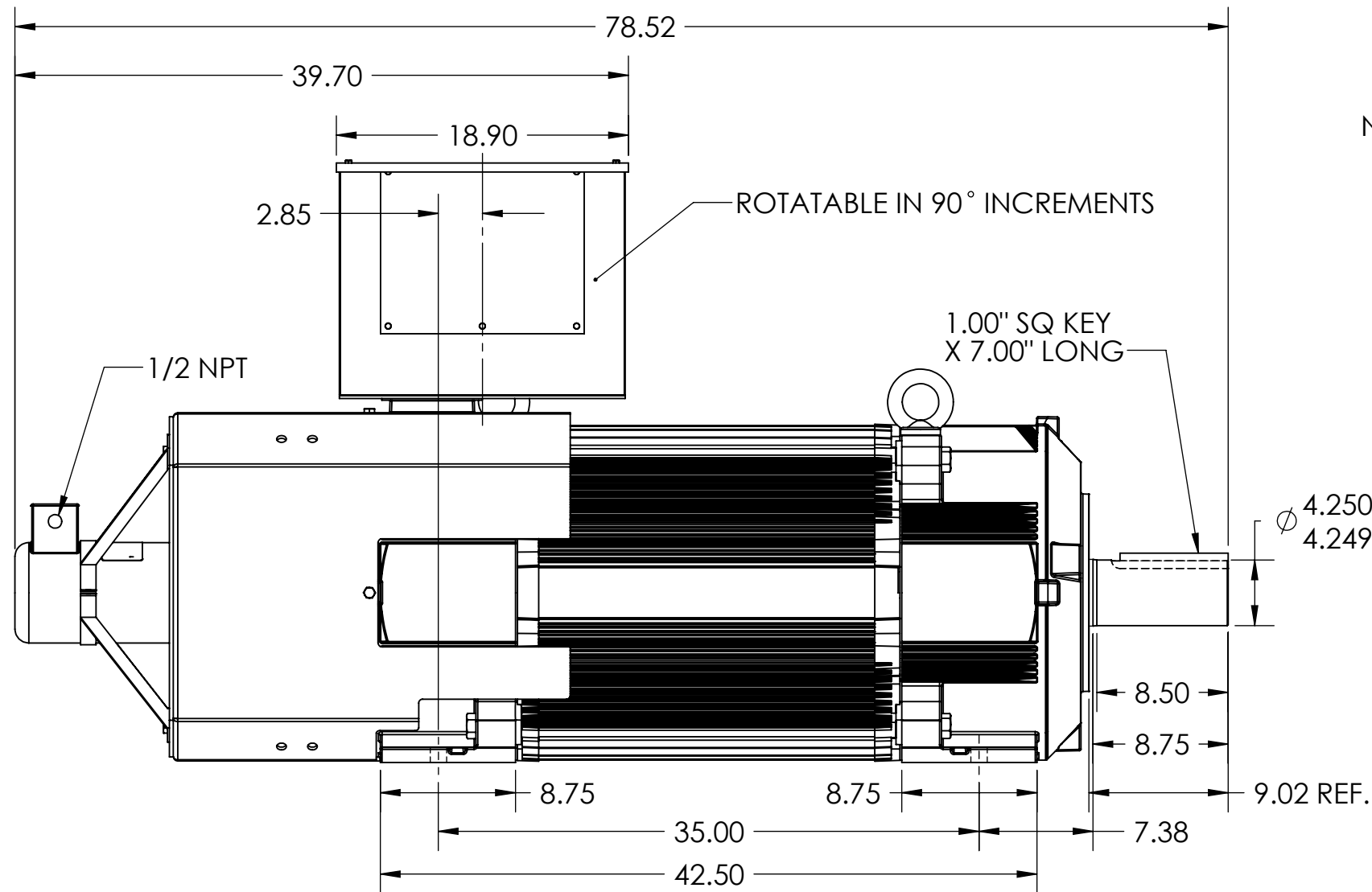
617566-001

D

C

B

A



D

C

B

A

NOTE 1: O.D.E. C-FACE & TACHOMETER MOUNTING
1/2-13 TAP, 1.00 DEEP, ON A Ø7.25 B.C.
FACE RUNOUT AND ECCENTRICITY 0.004 MAX. T.I.R.

MOTOR WEIGHT: 3940 LBS.
MAY VARY 15% FOR NON-STANDARD RATINGS AND/OR ACCESSORIES

NOTE 2: SHAFT HEIGHT WILL NOT BE EXCEEDED
SHIMS UP TO 0.06 INCHES IN THICKNESS ARE USUALLY
REQUIRED FOR COUPLED OR GEARED MACHINES

IF MOUNTING DETAILS ARE REQUIRED, CONSULT FACTORY

NOTE 3: REMOVEABLE COVER PLATE FOR CUSTOMER DRILLING
NOTE 4: TERMINAL BOX CAN BE LOCATED F1 OR F2 IF SPECIFIED

DIMENSIONS ARE IN INCHES

REV. DESC: REMOVE 616779-55 NOTE			
REV: C	VERSION: 03	REVISED: 09:00:38 06/23/2017	TDR: 000001033241
MODEL NO. FL440_TEBC		REF:	
BY: RGGWT			B

BALDOR • DODGE • RELIANCE

DIM SHT,FL4440Z,TEBC,STD,SHAFT 4.25 X 8.50,C/BOX F3

617566-001