

8 7 6 5 4 3 2 1

ENCLOSURE: DRIP PROOF

RPM-AC VARIABLE SPEED ALTERNATING CURRENT MOTOR RL3698Z

COOLING: FORCE VENTILATED

MOUNTING: FOOT

DRIVE METHOD: COUPLED OR BELTED

ACCESSORIES: PROVISIONS FOR
TACHOMETER MOUNTING
ONLY WHEN SPECIFIED

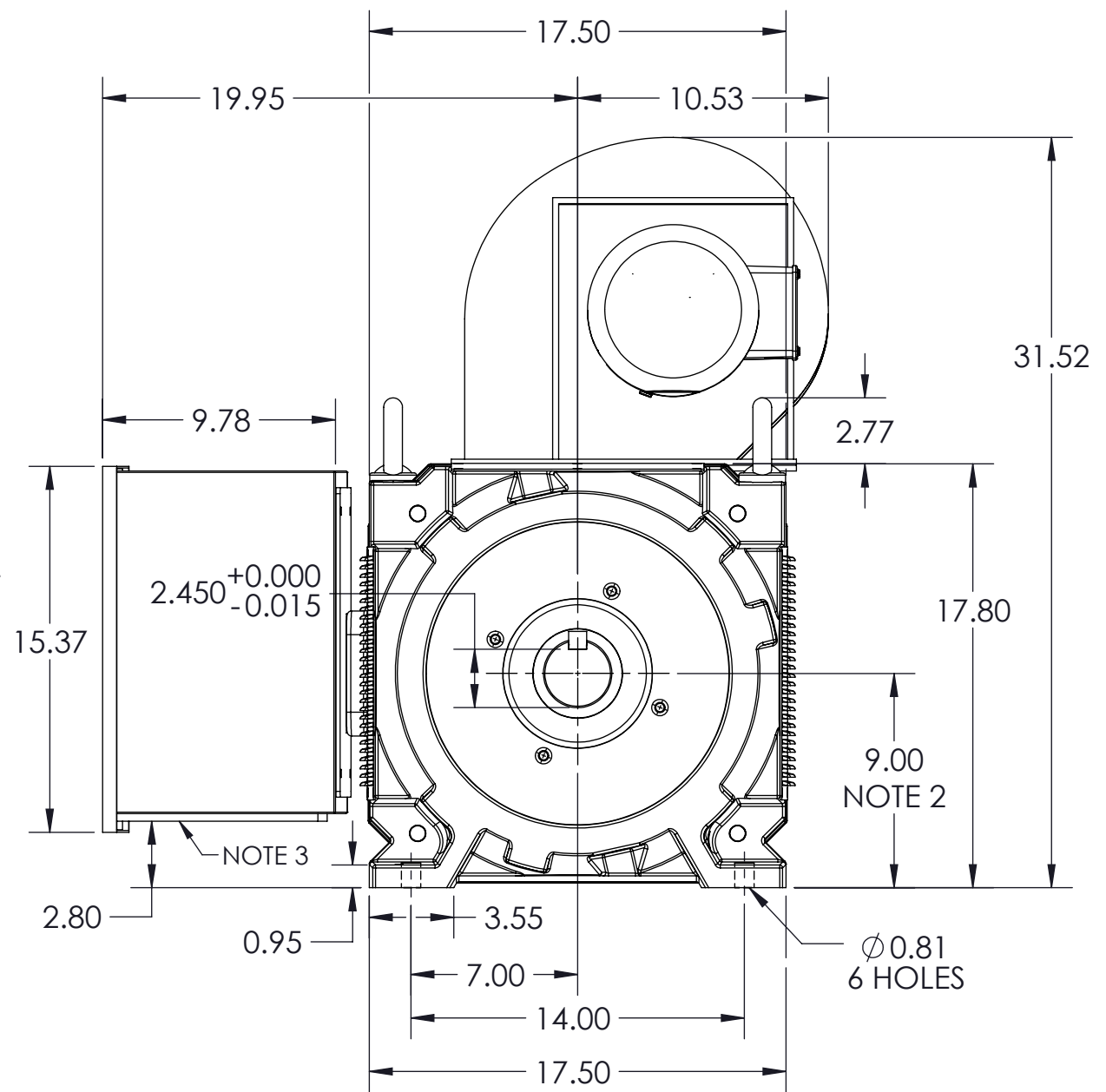
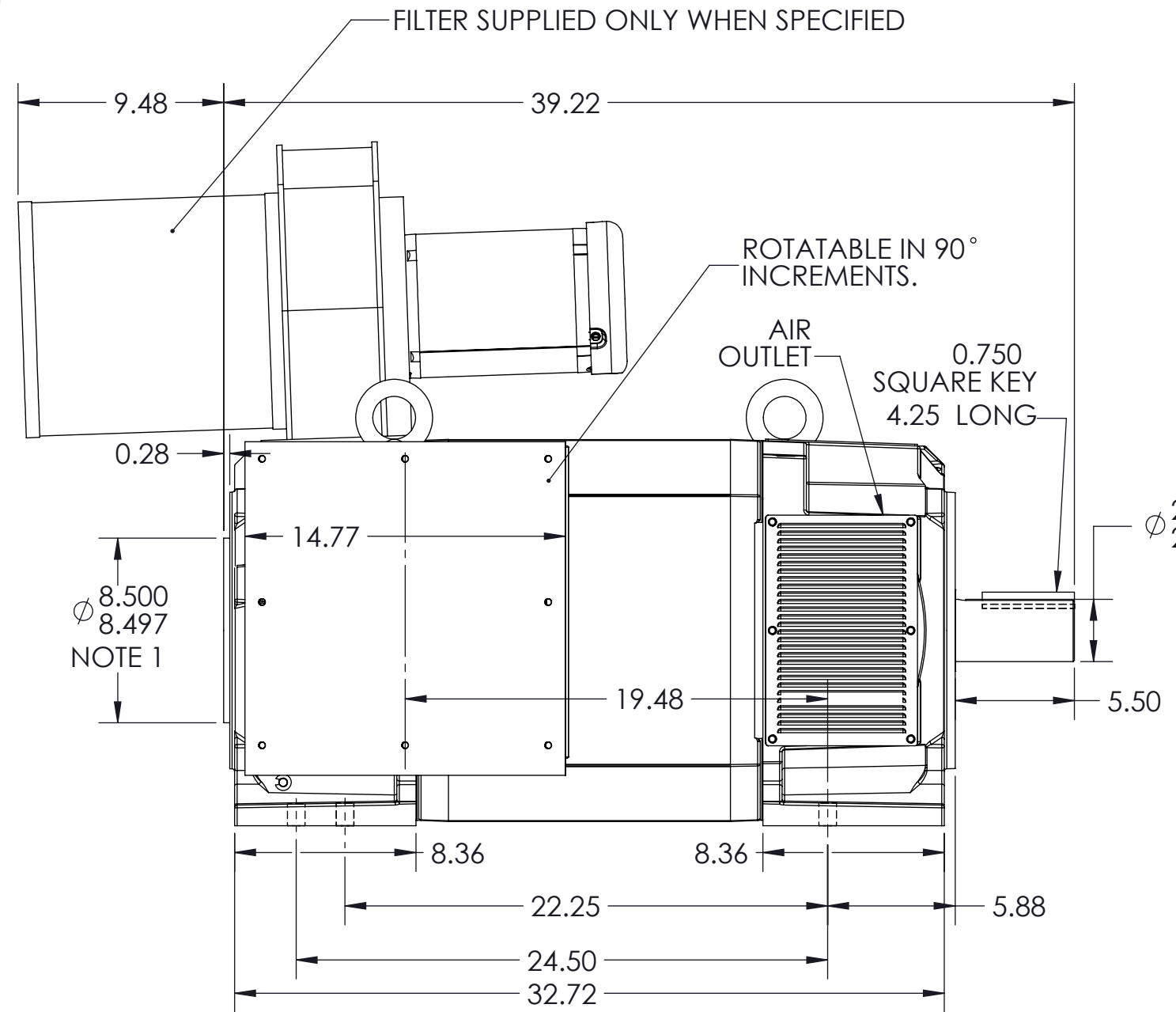
619680-001

D

C

B

A



D

C

B

A

- NOTES:
- O.D.E. C-FACE & TACHOMETER MOUNTING. 1/2-13 TAP, 1.00 DEEP, ON A $\phi 7.25$ B.C. FACE RUNOUT AND ECCENTRICITY 0.004 MAX. T.I.R.
 - SHAFT HEIGHT WILL NOT BE EXCEEDED. SHIMS UP TO 0.06 INCHES IN THICKNESS ARE USUALLY REQUIRED FOR COUPLED OR GEARED MACHINES.
 - REMOVABLE COVER PLATE FOR CUSTOMER DRILLING.

- TERMINAL BOX MAY BE LOCATED F1, F2 OR F3, IF SPECIFIED.
- REFER TO 616779-55 FOR SPECIFIED TACHOMETER DIMENSIONS.
- BLOWER ASSEMBLY CAN BE LOCATED F1, F2, OR F3, IF SPEC'D.
- BLOWER ASSEMBLY AND TERMINAL BOX CANNOT BE LOCATED AT THE SAME POSITION.

DIMENSIONS ARE IN INCHES
MOTOR WEIGHT: 1710 LBS. (MAY VARY 15%
FOR NON-STANDARD RATINGS AND / OR
ACCESSORIES.)

CUSTOMER IS RESPONSIBLE FOR DETERMINING THAT BALDOR'S PRODUCT WILL PERFORM SUITABLY IN THE INTENDED APPLICATION

REV. DESC: ADD MISSING DIMENSIONS			
REV: D	VERSION: 04	REVISED: 11:45:45 05/13/2016	TDR: 000000979977
MODEL NO. 619680-001		REF: -	
BY: RGGWT		B	

BALDOR

DIM SHEET,RL3698Z,RPM-AC,FV

8 7 6 5 4 3 2 1

619680-001