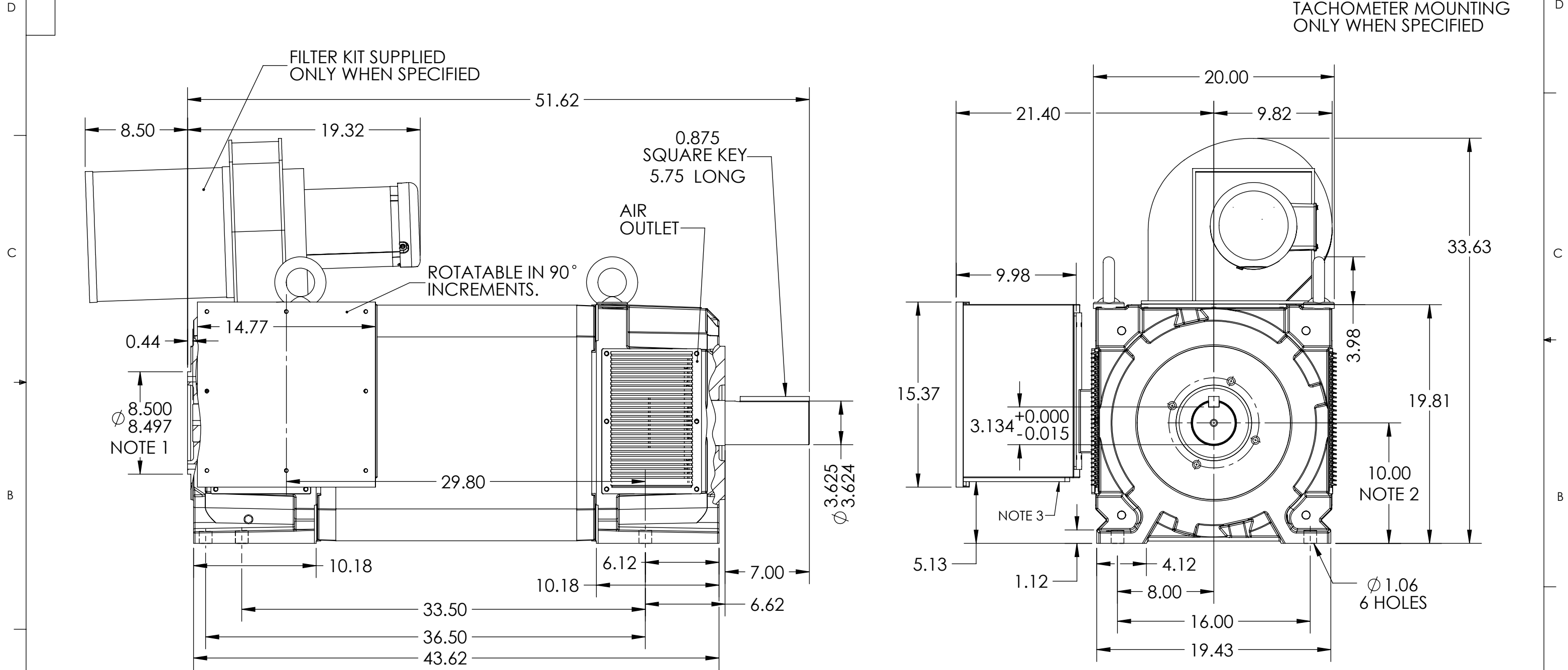


RPM-AC VARIABLE SPEED ALTERNATING CURRENT MOTOR RL4046Z

ENCLOSURE: DRIP PROOF
MOUNTING: FOOT

COOLING: FORCE VENTILATED

ACCESSORIES: PROVISIONS FOR
TACHOMETER MOUNTING
ONLY WHEN SPECIFIED



- NOTES**
- O.D.E. C-FACE & TACHOMETER MOUNTING. 1/2-13 TAP ∇ .75 ON A ϕ 7.25 B.C. FACE RUNOUT AND ECCENTRICITY 0.004 MAX. T.I.R.
 - SHAFT HEIGHT WILL NOT BE EXCEEDED. SHIMS UP TO 0.06 INCHES IN THICKNESS ARE USUALLY REQUIRED FOR COUPLED OR GEARED MACHINES.
 - REMOVABLE COVER PLATE FOR CUSTOMER DRILLING.

- TERMINAL BOX MAY BE LOCATED F1, F2 OR F3, IF SPECIFIED.
- REFER TO 616779-55 FOR SPECIFIED TACHOMETER DIMENSIONS.
- BLOWER ASSEMBLY CAN BE LOCATED F1, F2, OR F3, IF SPEC'D.
- BLOWER ASSEMBLY AND TERMINAL BOX CANNOT BE LOCATED AT THE SAME POSITION.

DIMENSIONS ARE IN INCHES
MOTOR WEIGHT: 2800 LBS. (MAY VARY 15% FOR NON-STANDARD RATINGS AND / OR ACCESSORIES.)

CUSTOMER IS RESPONSIBLE FOR DETERMINING THAT BALDOR'S PRODUCT WILL PERFORM SUITABLY IN THE INTENDED APPLICATION

REV. DESC: ADD FOOT WIDTH TO DRAWING			
REV: C	VERSION: 03	REVISED: 11:43:40 09/14/2017	TDR: 000001043284
MODEL NO. 619657-001		REF:	
BY: RGGWT		B	

BALDOR

DIM SHEET,RL4046Z,RPM-AC,FV

619657-001

619657-001