

RPM-AC VARIABLE SPEED ALTERNATING CURRENT MOTOR RL4058Z

COOLING: FORCE VENTILATED

ACCESSORIES: PROVISIONS FOR
TACHOMETER MOUNTING
ONLY WHEN SPECIFIED

ENCLOSURE: DRIP PROOF

MOUNTING: FOOT

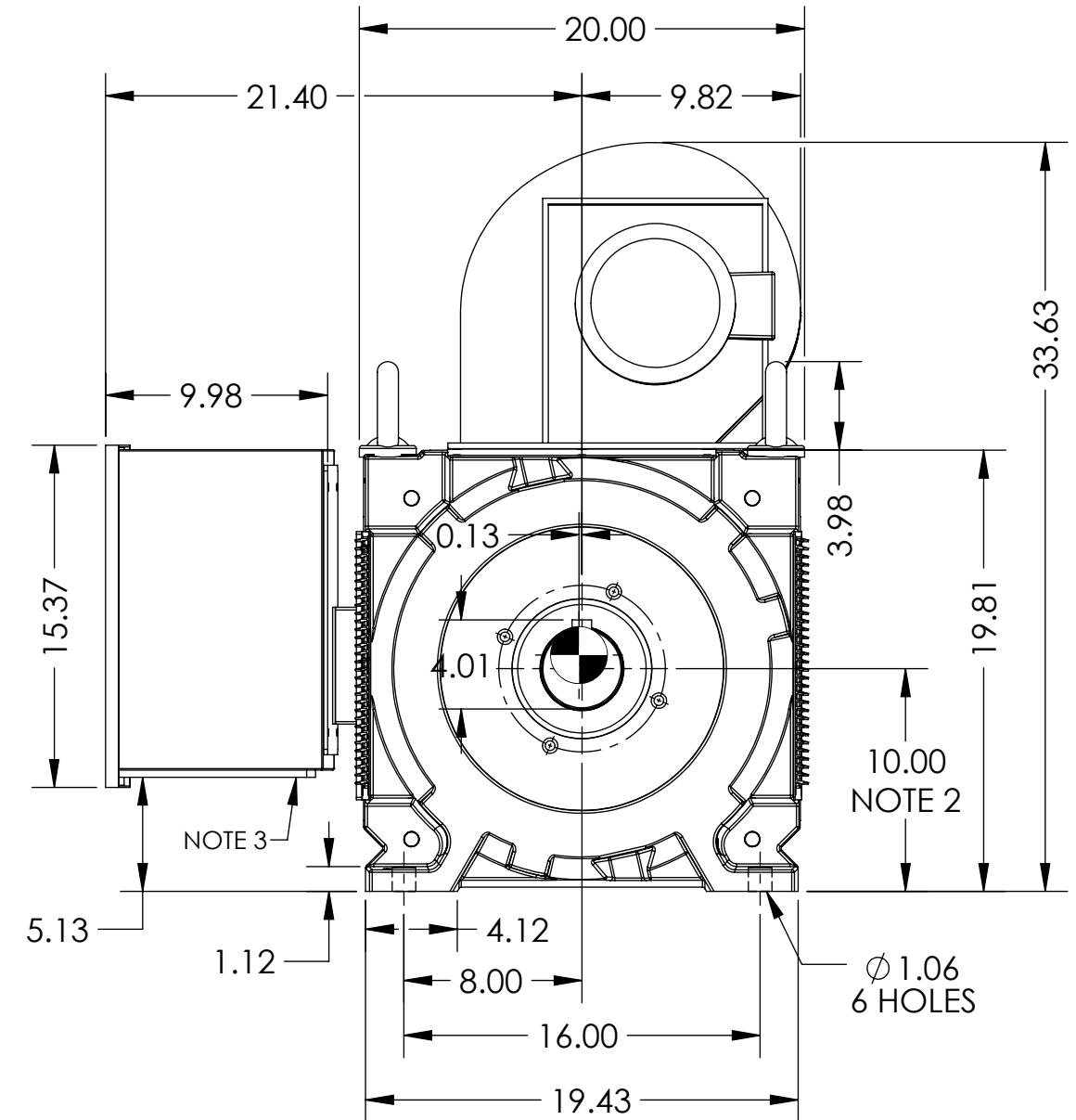
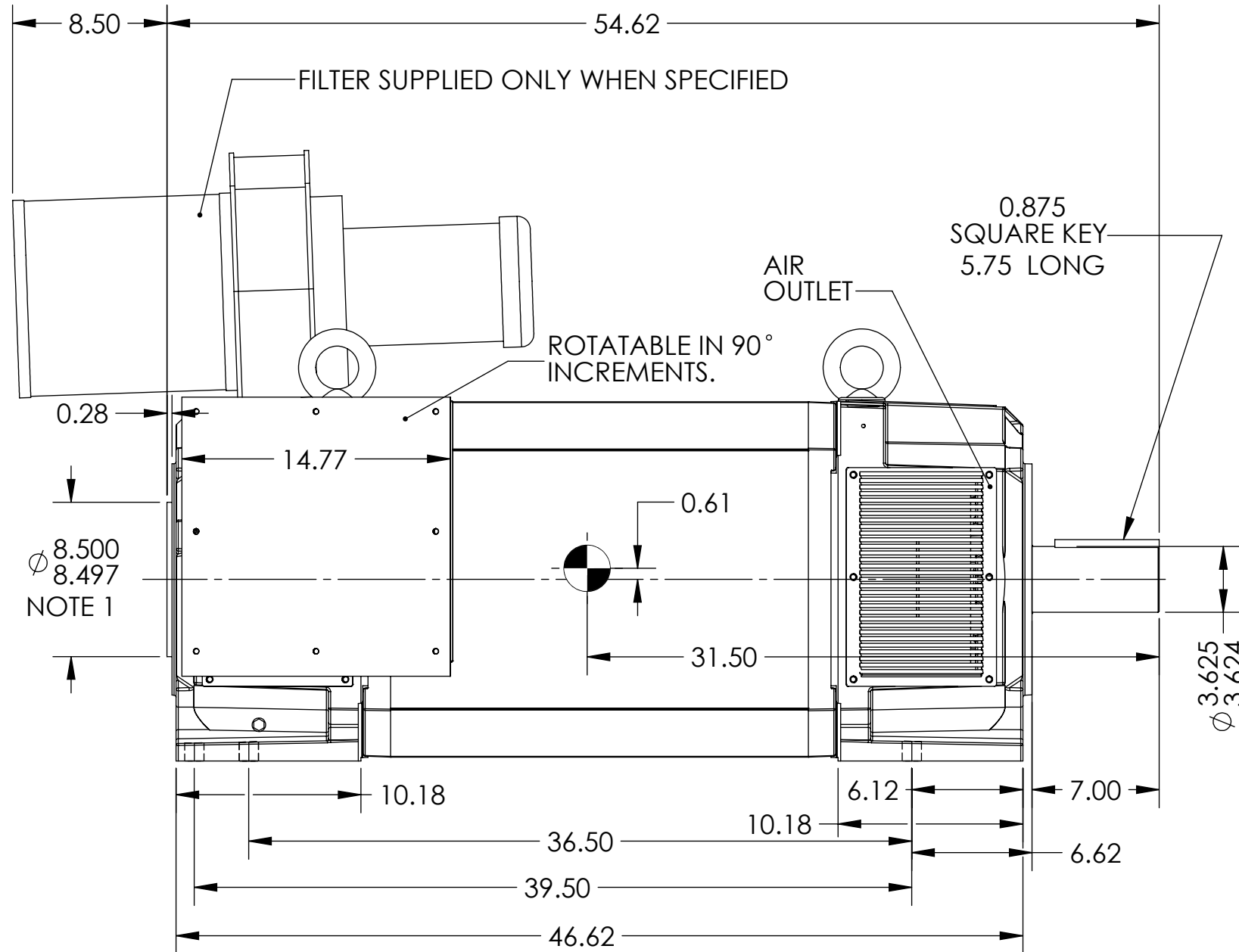
619660-001

D

C

B

A



NOTE 1: O.D.E. C-FACE & TACHOMETER MOUNTING.
1/2-13 TAP, 1.00 DEEP, ON A Ø7.25 B.C.
FACE RUNOUT AND ECCENTRICITY 0.004 MAX. T.I.R.

NOTE 2: SHAFT HEIGHT WILL NOT BE EXCEEDED.
SHIMS UP TO 0.06 INCHES IN THICKNESS ARE USUALLY
REQUIRED FOR COUPLED OR GEARED MACHINES.

NOTE 3: REMOVABLE COVER PLATE FOR CUSTOMER DRILLING.

TERMINAL BOX MAY BE LOCATED F1, F2 OR F3, IF SPECIFIED.
REFER TO 616779-55 FOR SPECIFIED TACHOMETER DIMENSIONS.
BLOWER ASSEMBLY CAN BE LOCATED F1, F2, OR F3, IF SPEC'D.
BLOWER ASSEMBLY AND TERMINAL BOX CANNOT BE LOCATED AT THE
SAME POSITION.

DIMENSIONS ARE IN INCHES
MOTOR WEIGHT: 3080 LBS. (MAY VARY 15%
FOR NON-STANDARD RATINGS AND / OR
ACCESSORIES.)

CUSTOMER IS RESPONSIBLE FOR DETERMINING THAT BALDOR'S PRODUCT WILL PERFORM SUITABLY IN THE INTENDED APPLICATION

REV. DESC: ADD COG			
REV: G	VERSION: 07	REVISED: 10:50:19 12/09/2022	TDR: 000001201035
MODEL NO. 619660-001			REF:
BY: RGGRWM			B

BALDOR

DIM SHT,RL4058Z,RPM-AC,FV

619660-001