

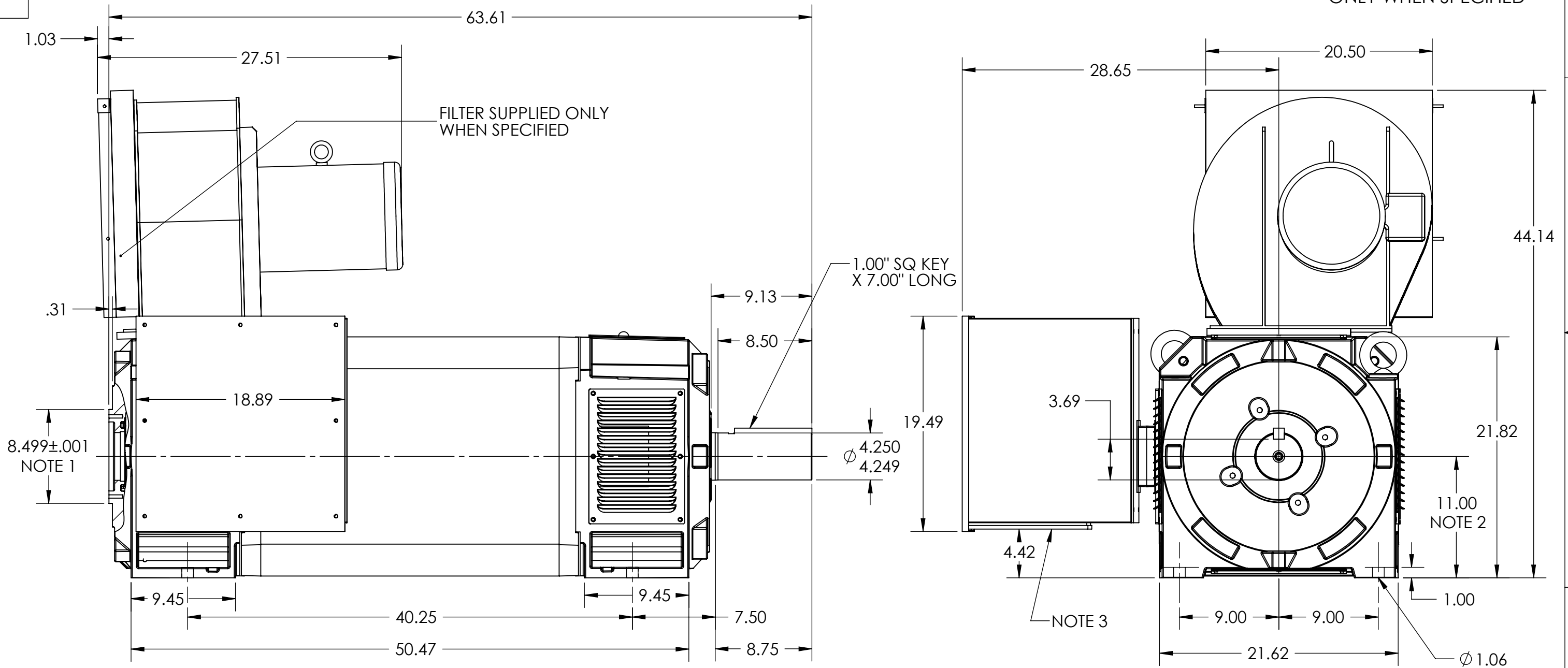
RPM-AC VARIABLE SPEED ALTERNATING CURRENT MOTOR RL4461Z

COOLING: FORCE VENTILATED

ENCLOSURE: DRIP PROOF

MOUNTING: FOOT

ACCESSORIES: PROVISIONS FOR
TACHOMETER MOUNTING
ONLY WHEN SPECIFIED



NOTE 1: O.D.E. C-FACE & TACHOMETER MOUNTING
1/2-13 TAP, 1.00 DEEP, ON A ϕ 7.25 B.C.
FACE RUNOUT AND ECCENTRICITY 0.004 MAX. T.I.R.

NOTE 2: SHAFT HEIGHT WILL NOT BE EXCEEDED
SHIMS UP TO 0.06 INCHES IN THICKNESS ARE USUALLY
REQUIRED FOR COUPLED OR GEARED MACHINES

NOTE 3: REMOVEABLE COVER PLATE FOR CUSTOMER DRILLING

NOTE 4: TERMINAL BOX CAN BE LOCATED F1 OR F2 IF SPECIFIED.

MOTOR WEIGHT: 3910 LBS.
MAY VARY 15% FOR NON-STANDARD RATINGS AND/OR
ACCESSORIES.

REFER TO 616779-55 FOR SPECIFIED TACHOMETER DIMENSIONS

IF MOUNTING DETAILS ARE REQUIRED, CONSULT FACTORY.

CUSTOMER IS RESPONSIBLE FOR DETERMINING THAT THE PRODUCT WILL PERFORM SUITABLY IN THE INTENDED APPLICATION

REV. DESC: CHANGED THE WEIGHT ON THE DIM SHEET			
REV: C	VERSION: 03	REVISED: 01:14:19 09/26/2019	TDR: 000001119469
MODEL NO. 617602-001		REF: -	
BY: RGGWT		B	

BALDOR - RELIANCE®

DIM SHT, RL4461Z ,DPFV, STD

617602-001