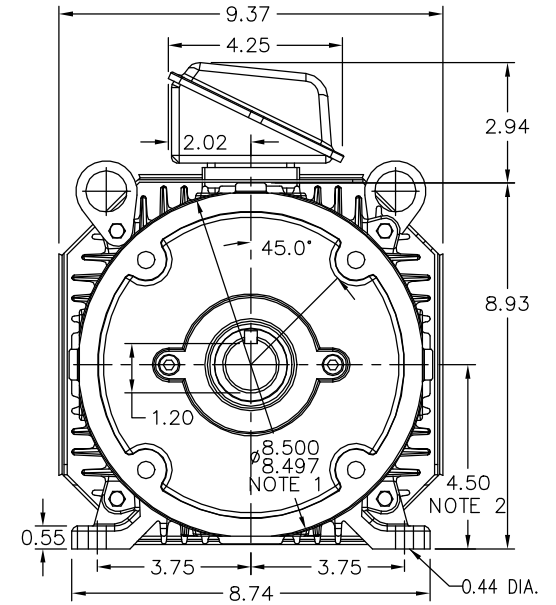
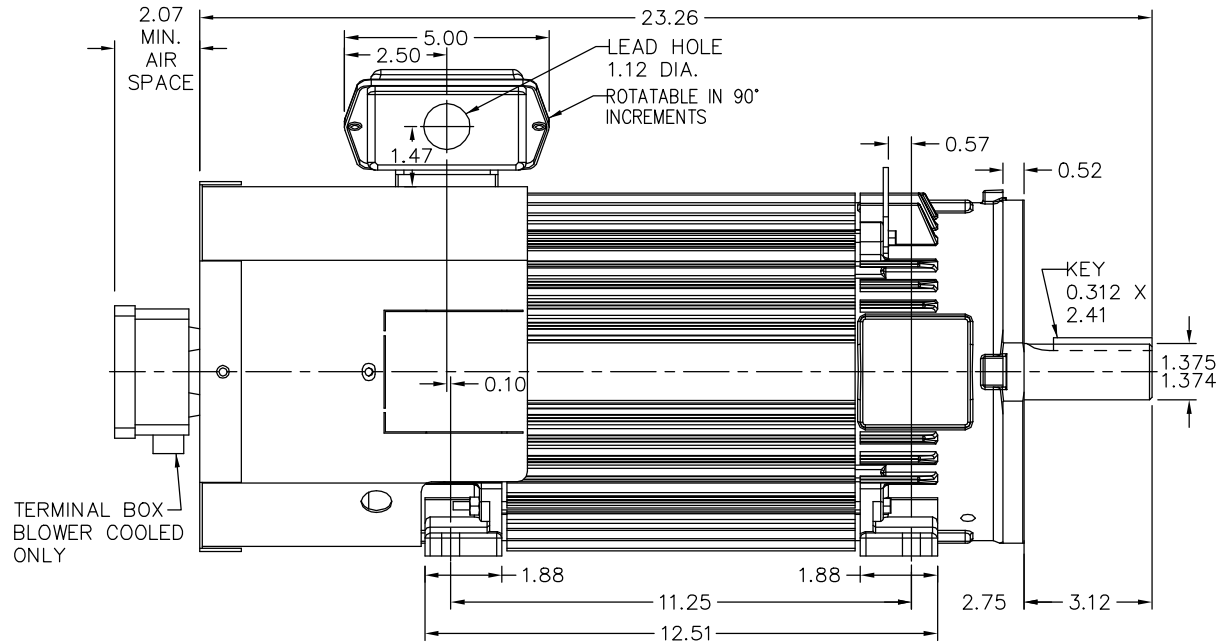


617232-013

## RPM-AC FINNED FRAME VARIABLE SPEED ALTERNATING CURRENT MOTOR FL1844CZ

ENCLOSURE: TOTALLY ENCLOSED  
 MOUNTING: FOOT / NEMA 210TC C-FACE  
 DRIVE METHOD: COUPLED OR BELTED

COOLING: BLOWER COOLED or FAN COOLED  
 ACCESSORIES: PROVISIONS FOR TACHOMETER MOUNTING ONLY WHEN SPECIFIED



NOTE 1: C-FACE & TACHOMETER MOUNTING  
 1/2-13 TAP, 1.00 DEEP, ON A 7.25 DIA. BOLT CIRCLE  
 FACE RUNOUT AND ECCENTRICITY 0.004 MAX. T.I.R.

NOTE 2: SHAFT HEIGHT WILL NOT BE EXCEEDED  
 SHIMS UP TO 0.03 INCHES IN THICKNESS ARE USUALLY  
 REQUIRED FOR COUPLED OR GREARED MACHINES

TERMINAL BOX MAY BE LOCATED F1 OR F2 IF SPECIFIED  
 40 AMP STEEL TERMINAL BOX SHOWN  
 REFER TO 616779-50 FOR SPECIFIED TERMINAL BOX DIMENSIONS  
 REFER TO 616779-55 FOR SPECIFIED TACHOMETER DIMENSIONS

MOTOR WEIGHT: 179 LBS. (MAY VARY 15%)  
 DIMENSIONS ARE IN INCHES SCALE: 1.00

CUSTOMER IS RESPONSIBLE FOR DETERMINING THAT BALDOR'S PRODUCT WILL PERFORM SUITABLY IN THE INTENDED APPLICATION.

REV. DESC: ASSIGNED TO BUSLOAD		
REV. LTR: -	VERSION: 00	TDR: 000000482745
FILE: \RGG\00003\464	REVISED: 13:35:56 11/25/2008	BY: CONBAT
MTL: -		

**BALDOR • DODGE • RELIANCE**

DIM SHT RPM AC TEBC / FC FL1844CZ FT / 210TC MTG PROV TACH

SH 1 of 1

617232-013