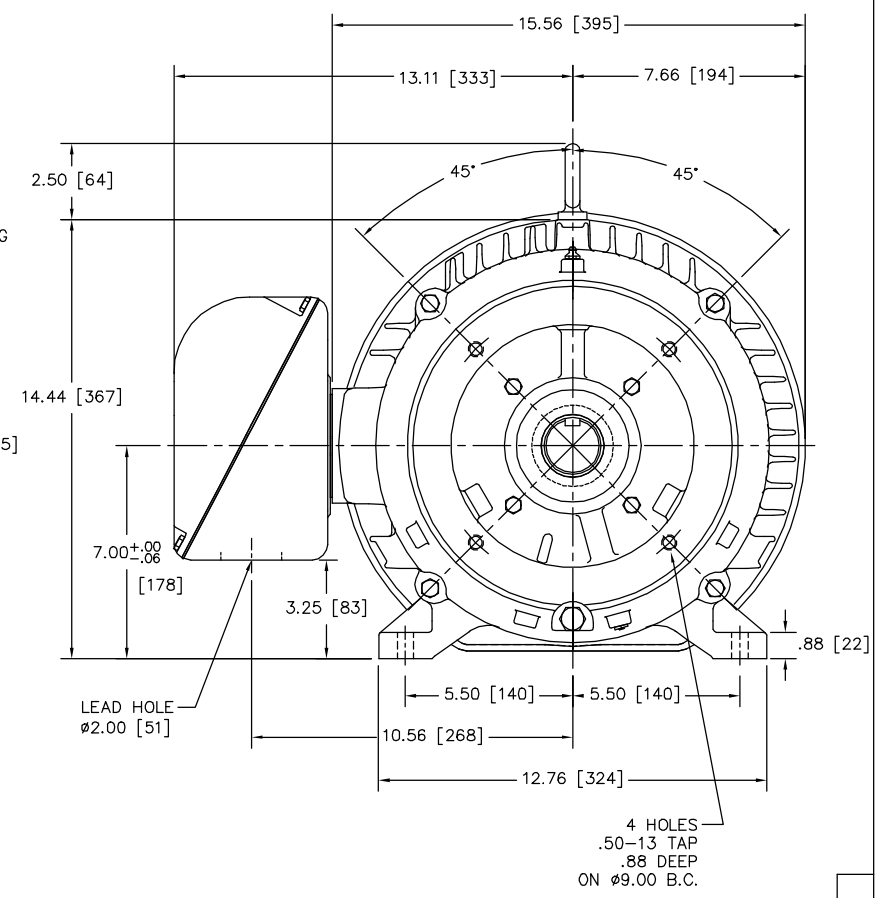
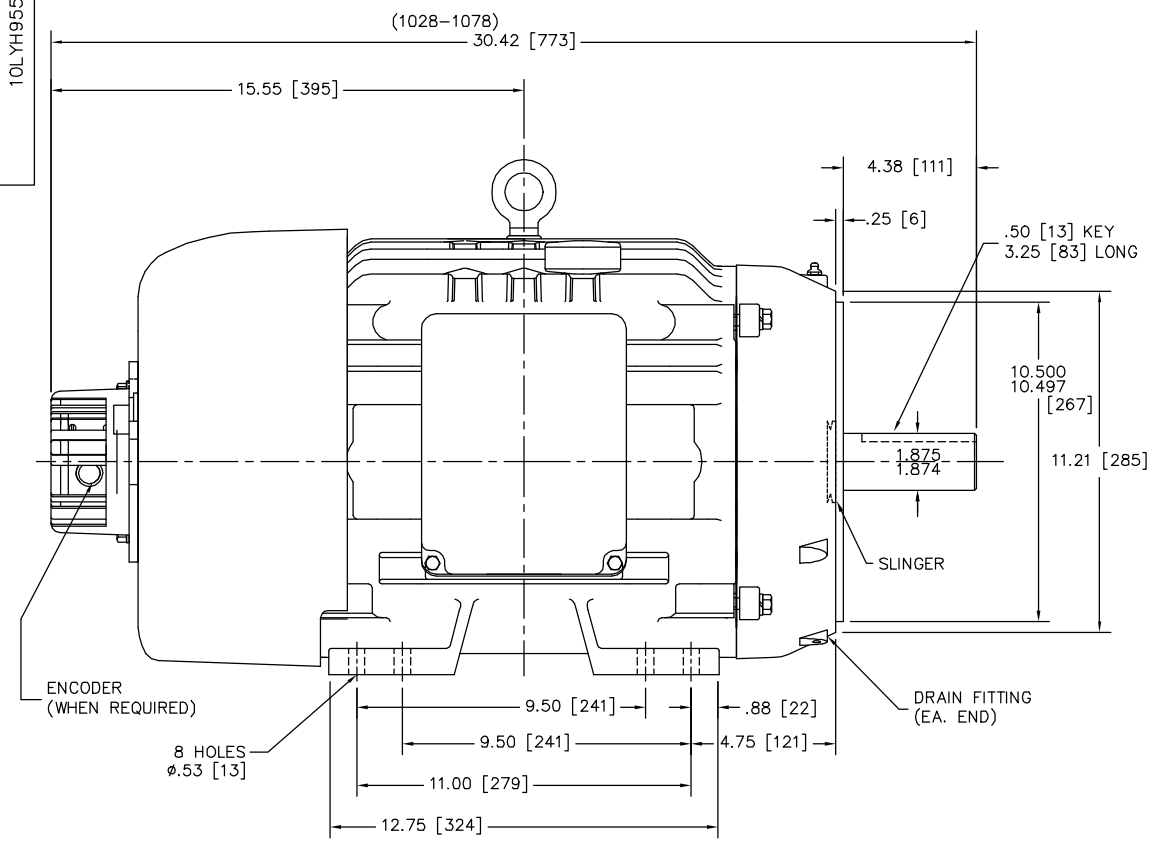


10LYH955



CUSTOMER IS RESPONSIBLE FOR DETERMINING THAT THE PRODUCT WILL PERFORM SUITABLY IN THE INTENDED APPLICATION.

REV. DESC: ADDED INV/VECT TO DESC		
REV. LTR: D	VERSION: 04	TDR: 000001221701
FILE: \AAA\00193\252	REVISED: 03:36:59 12/07/2023	BY: ENSHABO
MTL: -		

BALDOR - RELIANCE®

HORZ TEFC 284-6TC INV/VECT W/HS35 ENC & ENC COVER

SH 1 of 1

10LYH955