

NEMA AC Motor C-Face Kits for Field Conversion

Features: Complete kits with all hardware necessary for converting Baldor 56 through 445T frame rigid base motors to "C-Face" mounting with base. For a Baldor conversion, refer to the Mod Express Section in this catalog. Please furnish the motor specification number when ordering.



For use with Legacy Baldor Motor Designs

Catalog Number	Description Type/Frame	Bearing	Enclosure	List Price	Mult. Sym.	Ap'x. Shpg. Wgt.	
34-3900T	34/48C	6203	TEFC	49	A8	1	
34-171	34/56C	6203	TEFC	49	A8	2	
34-3903A	34/143-5TC	6205	ODP	60	A8	2	
34-3903T	34/143-5TC	6205	TEFC	63	A8	2	
35-8762	35/56C,143-5TC	6205	TEFC	58	A8	3	
35-8764	35/56C,143-5TC	6205	ODP	58	A8	3	
35-1300	35/56C,143-5TC	6205	TEFC	99	A8	6	
35-1325	35/182-4TC	6206	TEFC	128	A8	11	
35-1409	35/182-4TC	6206	ODP	143	A8	11	
36-1037	36/182-4C	6206	TEFC	113	A8	7	
36-1206A	36/213-5TC	6207	OPSB	146	A8	13	
36-1206B	36/213-5TC	6207	ODP	154	A8	14	
36-486	36/182-4C	6206	ODP	161	A8	8	
36-3301	36/182-4TC	6206	TEFC	82	A8	5	
36-3403	36/182-4TC	6206	ODP	96	A8	5	
36-1749	36/182-4TC	6206	TEFC	144	A8	12	
37-1404	37/213-5C, TC	6307	ODP	192	A8	14	
37-1304	37/213-5C, TC	6307	TEFC	159	A8	12	
37-1402	37/254-6UC, TC	6309	ODP	228	A8	18	
37-1302	37/254-6UC, TC	6309	TEFC	243	A8	18	
09-1309	09/254-6UC, TC	●	6309	TEFC	328	A8	22
09-1310	09/284-6UC, TC	●	6311	TEFC	496	A8	22
39-3400	39/254-6UC, TC		6309	ODP	213	A8	19
39-1403	39/284-6UC, TC		6311	ODP	342	A8	21
10-1304	10/324-6UC, TC	●	6312	TEFC	365	A8	32
10-1305	10/284-6UC, TC	●	6311	TEFC	381	A8	32
40-1400	40/284-6UC, TC		6311	ODP	347	A8	30
40-1401	40/324-6 UC, TC	●	6312	ODP	356	A8	40
12-1105	12/324-6UC, TC		6312	TEFC	469	A8	48
42-1300	42/324-6UC, TC	●	6312	ODP	625	A8	36
42-1400	42/364-5 UC & TC	●	6313	ODP	608	A8	30
14-1303	14/404-5TC		6316	TEFC	831	A8	50
14-1704	14/364-5UC, TC	●	6313	TEFC	608	A8	57
14-1401	14/364-5UC, TC	●	6313	ODP	670	A8	60
16-1704	16/404-5UC, TC	●	6316	TEFC	831	A8	76
16-1400	16/404-5UC, TC	●	6316	ODP	905	A8	78
18-1203	18/444-7UC, TSC	●●	6313	ODP	1,079	A8	118
18-1202	18/444-7UC, TC		6319	ODP	1,134	A8	128
18-1302	18/444-9UC, TC		6319	TEFC	1,087	A8	139
18-1304	18/444-5, TS-444-STSC		6313	TEFC	1,196	A8	163
44-1402	44/404-5 UC & TC		6316	ODP	704	A8	40
44-1403	44/404-5 UC & TSC		6313	ODP	704	A8	40
44-1403A	44/404 USC, TSC		6312	OPEN	704	A8	40

NOTE: NEMA "BA" Dimension will be non-standard after conversion on NEMA 143-5T, 182-4T, 213-5T and 254-6T.

SHADED RATINGS ARE CAST IRON FRAMES

Specification number of motor should be verified when ordering.

- = Suitable only for field conversion of motors manufactured with external rabbets on the stator housings.
- = Contact a District Office with nameplate specification number to determine correct kit.

Gearmotors and Gear Products

Motor Accessories

Grinders

Generators

Servo Motors and Controls

Mod Express

Baldor Education Workshops

Warranties and Sales Policies

Cross Reference and Index

Baldor Sales Offices

C-Face Kits

The following list of available motor kits may be purchased as a kit only and shipped as a separate item from stock, or the kit can be mounted on an suitable motor and shipped from the modification center.

56 - 140 Frames

For use with Legacy Reliance Motor Designs

Frame	Enclosure	Catalog Number	Notes	Ap'x. Shpg. Wgt. Lbs.	List Price	Mult. Sym.
56	Basic (TEFC, TENV)	K56H3055	81	1	58	A8

NOTE: Basic (TEFC, TENV) motors that have aluminum end shields. This kit will not mount on XT/EMT/XEX and other enhanced enclosure product that have Cast Iron end shields. See notes on inside back flap and pages 5-6.

180T - 400T Frames

For use with Legacy Reliance Motor Designs

Frame	Enclosure	Catalog Number	Notes	Ap'x. Shpg. Wgt. Lbs.	List Price	Mult. Sym.
180T	TEFC, TEFC-XT, TEFC-XEX	K18G3	84	13	154	A8
180	TEFC U-FRAME	K18G5	84	15	161	A8
210T, U	TEFC, TEFC-XT, TEFC-XEX	K21G3	84	16	192	A8
250T, U	TEFC, TEFC-XT, TEFC-XEX	K25G2	84	26	328	A8
280T, U	TEFC, TEFC-XT, TEFC-XEX	K28G2		38	381	A8
320T, U	TEFC, TEFC-XT, TEFC-XEX	K32G2		45	469	A8
360T, U	TEFC, TEFC-XT, TEFC-XEX	K36G2		69	608	A8
400T, U	TEFC, TEFC-XT, TEFC-XEX	K40G2	85	113	905	A8

NOTE: See notes on inside back flap and pages 5-6.

NEMA DC Motor C-Face Kit for Field Conversion

Features: For DC motors with catalog number ending in "P". These complete kits are for motors on pages 279-281.



For use with Legacy Baldor Motor Designs

Catalog Number	Frame	Bearing	Enclosure	List Price	Mult. Sym.	Ap'x Shpg. Wgt.
180-5002	180ATC	6206	Drip-Proof	752	A8	18
210-5001	210ATC	6207	Drip Proof or Totally Enclosed	902	A8	12
250-5001	250ATC	6209	Drip Proof of Totally Enclosed	1,391	A8	75
280-5002	280ATC	6210	Drip Proof	1,843	A8	57
320-5002	320ATC	6211	Drip Proof	2,569	A8	87
360-5001	360ATC	6213	Drip Proof or Totally Enclosed	3,942	A8	121
400-5001	400ATC	6214	Drip Proof or Totally Enclosed	4,774	A8	173

Double C-Face Motor Brake Kits

Coil Voltage: 115/208-230

Features: Double C-Face coupler brakes. Mounts on motors with C-Face, provides NEMA C-face mounting on brake. Spring set, electrically released.



Brake Rating	Brake Mounting	Catalog Number	List Price	Mult. Sym.	Ap'x. Shpg. Wgt.
3 ft-lb	56C	CBK003-1	558	A8	12
6 ft-lb	56C	CBK006-1	822	A8	12
6 ft-lb	145TC	CBK006-2	822	A8	12
10 ft-lb	145TC	CBK010-1	959	A8	12
15 ft-lb	145TC	CBK015-1	2,050	A8	12

NOTE: See notes on inside back flap and pages 5-6.

D-Flange Kits



Complete kits with hardware necessary for converting legacy Baldor 145T-445T frame rigid base motors to “D-Flange” mounting with base. Please furnish the motor specification number when ordering.

For use with Legacy Baldor Motor Designs

NEMA Frame	Enclosure	Catalog Number	List Price	Mult. Sym.	Ap'x. Shpg. Weight Lbs.
143-145T	TEFC	35EP1506A01SP	178	A8	8
143-145T	OPEN	35EP1604A01SP	174	A8	8
182-184T	OPEN	36EP1405A09SP	193	A8	8
182-184TD	TEFC	36EP1304A62SP	196	A8	15
286-286 U,T	TEFC	10EP1502A01SP	484	A8	39
324-326 U,T	TEFC	12EP1501A03SP	836	A8	50
364-365 U,T	OPEN	14EP1601A01SP	589	A8	61
364-365 U,T	TEFC	14EP1705A01SP	1,019	A8	73
404-405 U,T	OPEN	16EP1601A01SP	1,243	A8	67
404-405 U,T	TEFC	16EP1501A01SP	1,309	A8	75
444-445 U,T	OPEN	18EP1600A01SP	1,805	A8	97
444-445 U,T	TEFC	18EP1500A01SP	1,593	A8	168
447-449	TEFC	18EP1506A01SP	1,648	A8	155

D-Flange Kits

For use with Legacy Reliance Motor Designs

Frame	Enclosure	Catalog Number	Notes	Ap'x. Shpg. Wgt. Lbs.	List Price	Mult. Sym.
180, 180T	TEFC, TEFC-XT, TEFC-XEX	K18G6	47	18	470	A8
210, 210T	TEFC, TEFC-XT, TEFC-XEX	K21G6	47	128	576	A8

NOTE: See notes on inside back flap and pages 5-6.

Drip Covers for Field Conversion



Standard ODP Motors to Vertical Mount

Features: Complete kits with all hardware, attaches to endplate with no drilling. Designed to protect open steel band motors from rain, snow and ice when mounted outdoors in a vertical position. Made from heavy steel. Primed and painted inside and out. For a Baldor conversion, refer to the Mod Express Section in this catalog.

For use with Legacy Baldor Motor Designs

Catalog Number	Description	List Price	Mult. Sym.	Ap'x. Shpg. Wgt.
FCD34	34/48-56	78	A8	1
FCD35	35/56-145	109	A8	1
FCD36	36/182-184	95	A8	2
FCD37	37/213-256	115	A8	3
FCD39	39/254-256	154	A8	3
FCD40	40/284-286	165	A8	12
FCD42	42/324-326	177	A8	5

NOTE: Refer to Abbreviations on the inside back flap for definitions of Kit Catalog No. and Description.

Fan Cover/Conduit Boxes for Field Conversion



Standard TEFC Cast Iron Motors

Applications: For all Cast Iron construction.

Features: Complete kits consists of cast iron fan covers and cast iron conduit boxes when necessary. The kits also include all necessary mounting hardware. These kits replace the standard steel fan cover and aluminum conduit box when used. For a Baldor conversion, refer to the Mod Express Section in this catalog.

For use with Legacy Baldor Motor Designs

Catalog Number	Description	List Price	Mult. Sym.	Ap'x. Shpg. Wgt.
FFC05	05/143-5T	154	A8	6
FFC06	06/182-4T	165	A8	10
FFC07WB	07/213-5T	245	A8	19
FFC09WB	09/254-6U & T	337	A8	28

NOTE: Refer to Abbreviations on the inside back flap for definitions of Kit Catalog No. and Description. Catalog numbers ending in WB include a cast iron conduit box and lid. NOT FOR USE ON EXPLOSION PROOF MOTORS.

SHADED RATINGS ARE CAST IRON FRAMES

Ball Bearing to Roller Bearing Conversion



TEFC Motors 449T thru 5011L

Applications: To accommodate heavy belted loads.

Features: Complete kit consists of roller bearings, retainer, spacers and proper grease. For Baldor conversion, refer to the Mod Express section in this catalog.

For use with Super-E® Liberator Motors

NEMA Frame	Motor Poles	Motor Enclosure	Catalog Number	List Price	Mult. Sym.	Ap'x. Shpg. Wgt.
G5008L-G5012L	4	TEFC	RBT322-G30	2,218	A8	34

Gearmotors and Gear Products

Motor Accessories

Grinders

Generators

Servo Motors and Controls

Mod Express

Baldor Education Workshops

Warranties and Sales Policies

Cross Reference and Index

Baldor Sales Offices

Gear Motor Accessories Conduit Box Kit



Baldor 24 Frame stock gearmotors are designed to accommodate this optional conduit/capacitor box.

Motor Types	Kit Description	Catalog Number	List Price	Mult. Sym.	Ap'x. Shpg. Wgt.
2412, 2416, 2420, 2424	Combination Conduit/Capacitor Mounting Box Kit	BKP2400	49	A8	1

PSM Mounting Adapters



B92 is formed steel mounting base that bolts to machined surface on bottom of PSM gear box casting. Provides secure foot mounting of gear motor and drop-in interchangeability with other major manufacturers.

B93 is a three point face mounting adapter. Provides interchangeability with other manufacturers.

Catalog Number	Description	List Price	Mult. Sym.	Ap'x. Shpg. Wgt.
B92	Foot Mount	40	A8	1
B93	3 Point Face Mount	51	A8	1

“L” Type Mounting Brackets



Applications: Mounting bracket for PSSH and PSL gear motors. Securely mounts to gear face in 90 degree locations for floor, wall or ceiling mount. Catalog LB74 is not recommended for PSL/PSLH units weighing over 20 lbs. For units weighing more than 20 lbs. use LB75.

Catalog Number	List Price	Mult. Sym.	Ap'x. Shpg. Wgt.
LB73	40	A8	2
LB73GR	40	A8	2
LB74	57	A8	2
LB75	79	A8	7

NOTE: (1) Painted Baldor gray. LB73 & LB73GR for PSSH style gearmotors, LB74 & LB75 for PSL/PSLH style gearmotors.

H Gearbox Accessories



Baldor offers single and three-phase hollow bore (shaft mount) gearmotors. By adding a base and shaft kit, they can also be used on applications requiring a right-angle shaft extension. The shaft can be used for either right or left hand output applications.

Catalog Number	Description	List Price	Mult. Sym.	Ap'x. Shpg. Wgt.
B19H71	Horiz Base Kit	67	A8	1
SH10HS	Output Shaft Kit	21	A8	2

Motors and Gearmotors UL, cUL and CSA Approvals



Product Type	CSA LR2262	UL E46145	CUL E46145
AC	Motor Models and Frames 24, 25, 33	Motor Models and Frames 24, 25, 33	
DC	Motor Models and Frames 73, 74: 90V Ratings Only Motor Models and Frames 25, 33: Not Restricted to 90 Volts	Motor Models and Frames 23, 25, 33, 73, 74, 125, 135	Motor Model and Frames 23, 125, 135

NOTE: See notes on inside back flap and pages 5-6.

Adjustable Motor Bases

These motor bases simplify mounting and belt tension adjustment at installation and during later maintenance checks. These are heavy duty adjustable motor bases manufactured of steel or plate. All bases are detergent washed, painted with dark gray primer and oven baked for corrosion resistance. The nuts and bolts are zinc plated. NEMA 215T and smaller bases feature one adjusting screw. Bases for NEMA 254T frame and larger motors feature two adjusting screws. Motor mounting bolts are included. Bases listed can be used with motor frame numbers given and succeeded by the letters S, T, U, US and TS, or any other letter combinations provided the motors' base meets NEMA standards.

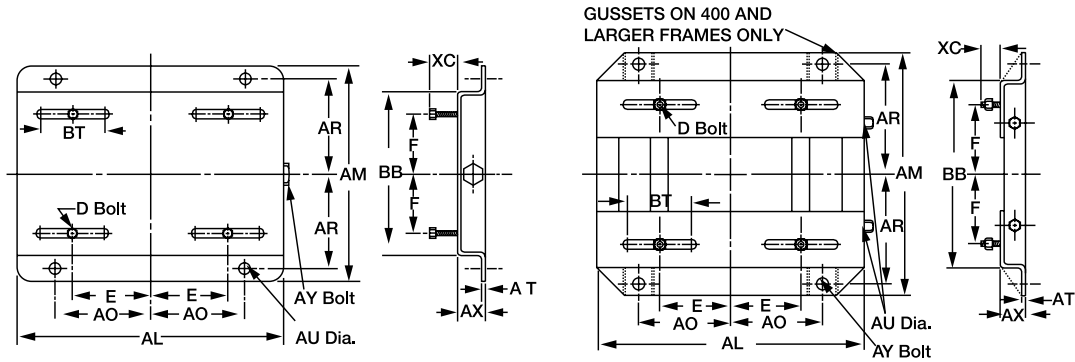


NEMA Frame Motors	Base Catalog Number	List Price	Mult. Sym.	No. of Adjusting Screws	Motor Mounting Bolt Size	Ap'x Shpg. Wgt.
48	B48T	88	A8	1	5/16 x 1	3
56	B56T	88	A8	1	5/16 x 1	5
143T	B143T	113	A8	1	5/16 x 1	6
145T	B145T	113	A8	1	5/16 x 1	7
182T	B182T	120	A8	1	3/8 x 1 1/2	10
184T	B184T	120	A8	1	3/8 x 1 1/2	10
213T	B213T	139	A8	1	3/8 x 1 1/2	14
215T	B215T	139	A8	1	3/8 x 1 1/2	15
254T	B254T	230	A8	2	1/2 x 1 3/4	21
256T	B256T	230	A8	2	1/2 x 1 3/4	21
284T	B284T	261	A8	2	1/2 x 2	24
286T	B286T	261	A8	2	1/2 x 2	26
324T	B324T	404	A8	2	5/8 x 2 1/2	34
326T	B326T	404	A8	2	5/8 x 2 1/2	37
364T	B364T	503	A8	2	5/8 x 2 1/2	48
365T	B365T	503	A8	2	5/8 x 2 1/2	50
404T	B404T	748	A8	2	3/4 x 3	62
405T	B405T	748	A8	2	3/4 x 3	66
444T	B444T	915	A8	2	3/4 x 3	70
445T	B445T	915	A8	2	3/4 x 3	71
447T	B447T	1,078	A8	2	3/4 x 3 1/2	93
449T	B449T	1,078	A8	2	3/4 x 3 1/2	99
5007-11	B5000RLS (1)	1,624	A8	2	7/8 x 3 1/2	149

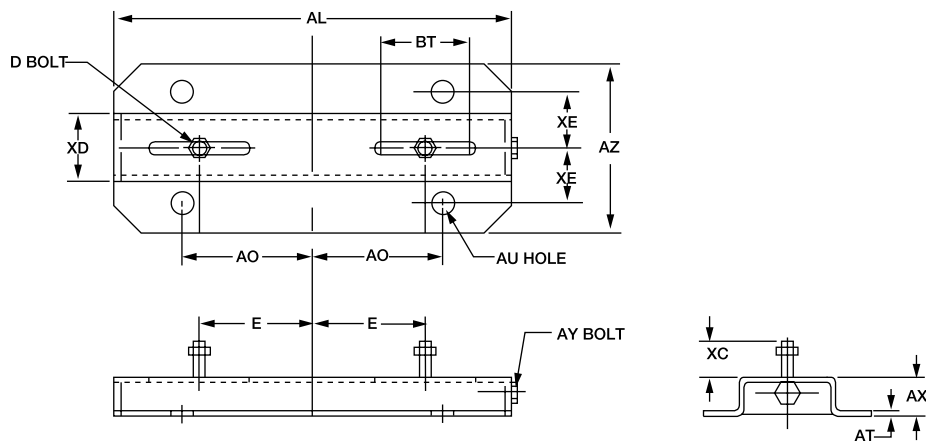
NOTE: Bases not suitable for vertical mounting. See base dimensions on next page.

(1) One adjustable motor rail.

Adjustable Motor Bases Dimension Diagrams



NEMA Frame	Catalog Number	E	F	AL	AM	AO	AR	AT	AU	AX	BB	BT	XC	D Bolt	AY Bolt
48	B48T	2.125	1.375	10.00	6.25	3.50	2.75	0.078	0.375	1.125	4.25	3.00	0.875	5/16 x 1	3/8 x 4
56	B56T	2.437	1.50	10.625	6.50	3.812	2.875				4.50				
143	B143T	2.75	2.00	10.50	7.50	3.75	3.375	0.109	0.375	1.125	5.50	3.00	0.812	5/16 x 1	3/8 x 4
145	B145T		2.50		8.50		3.875				6.50				
182	B182T	3.75	2.25	12.75	9.50	4.50	4.25	0.140	0.50	1.50	6.50	3.00	1.50	3/8 x 1-3/4	1/2 x 5
184	B184T		2.75		10.50		4.75				7.50				
213	B213T	4.25	2.75	15.00	11.00	5.25	4.75	0.156	0.50	1.75	7.50	3.50	1.50	3/8 x 1-3/4	1/2 x 5
215	B215T		3.50		12.50		5.50				9.00				
254	B254T	5.00	4.125	17.75	15.125	6.25	6.625	0.187	0.625	2.00	10.75	4.00	1.437	1/2 x 1-3/4	5/8 x 6
256	B256T		5.00		16.875		7.50				12.50				
284	B284T	5.50	4.75	19.75	16.875	7.00	7.50	0.187	0.625	2.00	12.514	4.50	1.687	1/2 x 2	5/8 x 6
286	B286T		5.50		18.375		8.25								
324	B324T	6.25	5.256	22.75	19.25	8.00	8.50	0.187	0.75	2.50	14.00	5.25	2.187	5/8 x 2-1/2	3/4 x 9
326	B326T		5.256		20.75		9.25				15.50				
364	B364T	7.00	5.625	25.50	20.50	9.00	9.125	0.25	0.75	2.50	15.50	6.00	2.062	5/8 x 2-1/2	3/4 x 9
365	B365T		6.625		21.50		9.625				16.50				
404	B404T	8.00	6.125	28.75	22.375	10.00	9.875	0.25	0.875	3.00	16.50	7.00	2.50	3/4 x 3	3/4 x 11
405	B405T		6.387		23.875		10.625				18.00				
444	B444T	9.00	7.25	31.25	24.625	11.00	11.00	0.25	0.875	3.00	19.25	7.50	2.50	3/4 x 3	3/4 x 11
445	B445T		8.25		26.625		12.00				21.25				
447	B447T	9.00	10.00	31.25	30.125	11.00	13.75	0.312	1.125	3.00	24.75	7.50	3.00	3/4 x 3-1/2	3/4 x 14
449	B449T		12.50		35.125		16.25				29.75				3/4 x 11



NEMA Frame	Catalog Number	E	AL	AO	AL	AU	AX	AZ	BT	XC	XO	XE	D Bolt	AY Bolt
500	B5000RLS	10.00	35.00	12.50	0.312	1.00	3.50	12.00	8.00	3.00	6.00	4.50	7/8 x 3-1/2	7/8 x 16

DIMENSIONS ARE FOR REFERENCE ONLY, CONSULT A BALDOR DISTRICT OFFICE FOR CERTIFIED DIMENSIONS

Conversion Bases

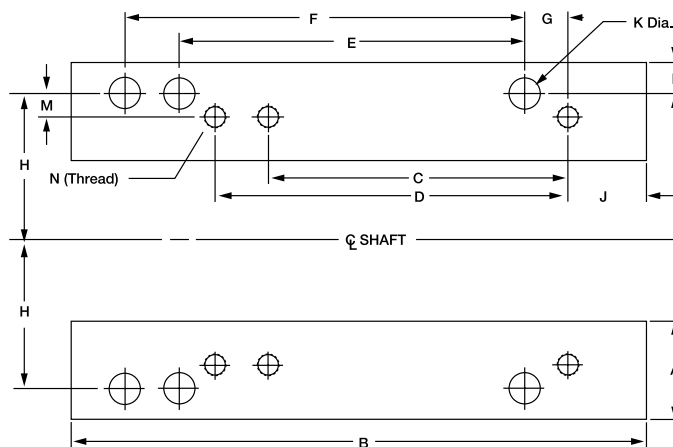


These Conversion Bases are designed to allow NEMA "T" frame motors to be used where corresponding NEMA "U" frame motors have been applied. Consisting of right and left hand pieces that fit to existing mounting studs positioned for "U" frame motors. The "T" frame motor is mounted to the pieces resulting in compensation for the difference in motor height, shaft position and mounting hole between the previous "U" frame motor and the replacement "T" frame motor. Made of the same top quality material as the adjustable motor bases.

Catalog Number	Converts From "U" Frame	Converts To "T" Frame	List Price	Mult. Sym.	Ap'x Shpg. Wgt.	Height Inches	Width Inches	Length Inches	Thread
CB1814T	182/184	143T/145T	95	A8	2	1	2 1/4	7 1/2	5/16-18
CB2118T	213/215	182T/184T	134	A8	2	3/4	1 3/4	9 1/2	3/8-16
CB2521T	254U/256U	213T/215T	154	A8	6	1	2 7/16	12 3/4	3/8-16
CB2825T	284U/286U	254T/256T	209	A8	7	3/4	2 3/4	14 1/4	1/2-13
CB3228T	324U/326U	284T/286T	288	A8	9	1	3 1/4	15 3/4	1/2-13
CB3632T	364U/365U	324T/326T	355	A8	12	1	3 11/16	16 1/2	5/8-11
CB4036T	404U/405U	364T/365T	487	A8	20	1	4 1/4	18 5/8	5/8-11

NOTE: Dimensions are for one piece. Two pieces supplied. Design is for horizontal mounting. Motor shimming may be required for direct drive applications.

Conversion Bases Dimension Diagrams



Catalog Number	Converts From	Converts To	A	B	Height	C	D	E	F	G	H	J	K	L	M	N(Thread)
CB1814T	182-184	143T-145T	2.25	7.50	1.00	4.00	5.00	4.50	5.50	0.50	3.75	1.00	0.437	0.50	1.0	5/16-18
CB2118T	213-215	182T-184T	1.75	8.50	0.75	4.50	5.50	5.50	7.00	1.00	4.25	1.00	0.437	0.437	0.5	3/8-16
CB2521T	254U-256U	213T-215T	2.437	12.75	1.00	5.50	7.00	8.25	10.00	1.125	5.00	1.00	0.562	0.625	0.75	3/8-16
CB2825T	284U-286U	254T-256T	2.75	14.25	0.75	8.25	10.00	9.50	11.00	1.375	5.50	1.25	0.562	0.937	0.5	1/2-13
CB3228T	324U-326U	284T-286T	3.25	15.75	1.00	9.50	11.00	10.50	12.00	1.50	6.25	1.50	0.687	0.937	0.75	1/2-13
CB3632T	364U-365U	324T-326T	3.687	16.50	1.00	10.50	12.00	11.25	12.25	1.75	7.00	1.75	0.687	1.187	0.75	5/8-11
CB4036T	404U-405U	364T-365T	4.25	18.625	1.00	11.25	12.25	12.25	13.75	2.00	8.00	2.00	0.812	1.25	1.0	5/8-11

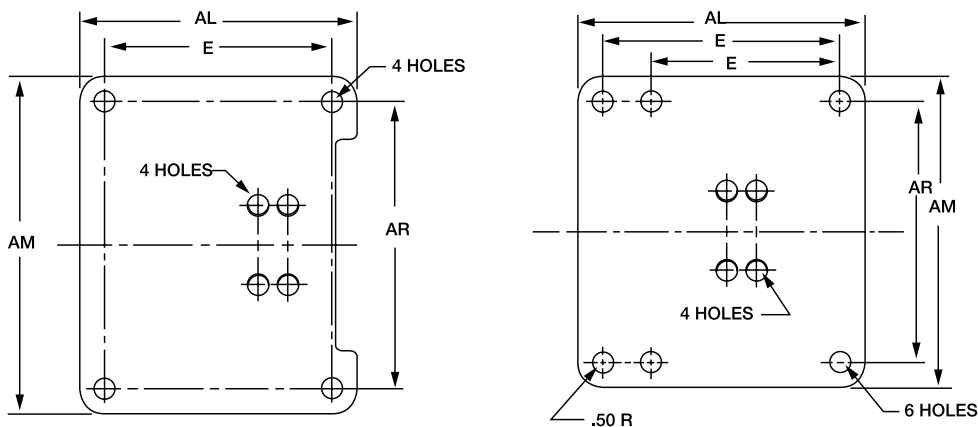
Metric Frame Weld On Bases

Heavy duty, stamped steel metric bases for welding to steel band motor designs. These give metric base mounting dimensions to NEMA frame motors.



IEC Frame	Catalog Number	Description	List Price	Mult. Sym.	Ap'x Shpg. Wgt.
D71	MB3371	33/42	30	A8	1
D80	MB3480	34/48-56	38	A8	1
D90	MB3590	35/56-145	39	A8	2
D112	MB36112	36/182-184	64	A8	3
D132	MB37132	37/213-256	88	A8	6

Metric Weld On Bases Dimension Diagrams



IEC Frame	E	AL	AM	AR
D71	3.531	4.25	5.125	4.406
D80	3.937	5.125	6.00	4.921
D90S D90L	3.937 4.921	5.937	6.50	5.50
D112S D112M	4.50 5.50	6.50	8.625	7.50
D132S D132M	5.50 7.00	8.00	9.50	8.50

DIMENSIONS ARE FOR REFERENCE ONLY, CONSULT A BALDOR DISTRICT OFFICE FOR CERTIFIED DIMENSIONS

Geomotors and Gear Products

Motor Accessories

Grinders

Generators

Servo Motors and Controls

Mod Express

Baldor Education Workshops

Warranties and Sales Policies

Cross Reference and Index

Baldor Sales Offices

Conduit Box Kits



Frame Size	Catalog Number	List Price	Mult. Sym.
Conduit Box Kit – Standard Size			
56 - 140T	K56H3260	145	P1
180T, 182T-4T	K18G7	86	P1
210T, 213T-5	K21G7	86	P1
184T, 215T, 250, 254-6	K25G8	115	P1
254-6T, 280T, 284-6, 324-6	K28G8	115	P1
320T	K32G8	228	P1
360T	K36G8	228	P1
400T	K40G8	250	P1
440T	K44G8	277	P1
Conduit Box Kit – Oversize			
180T	K25G8	115	P1
210T	K25G8	115	P1
250T	K25G8	115	P1
280T	K28G9	223	P1
320T	K36G8	228	P1
360T	K36G9	250	P1
400T	K40G9	277	P1
400T	K44G9	297	P1

NEMA Frame	Catalog Number	List Price	Ap'x Shpg. Wgt. Lbs.	Mult. Sym.
Conduit Box – Standard Size				
42	33CB5000A01SP	30	1	P1
42	33CB5001A01SP	30	1	P1
48	34CB5001A01SP	29	1	P1
56 - 143-5T	35CB5001A01SP	32	1	P1
182T-4T	36CB5001A01SP	34	1	P1
182T-4T	36CB5001A06SP	39	2	P1
182T-4T	36CB5001A07SP	58	2	P1
213T-5T	37CB5002A06SP	39	2	P1
213T-5T	37CB5002A07SP	34	4	P1
184T, 215T, 254-6	09CB5001A01SP	67	3	P1
184T, 215T, 254-6	09CB5001A15SP	53	3	P1
254-6T, 284-6, 324-6	10CB5001A01SP	90	6	P1
254-6T, 284-6, 324-6	10CB5002A01SP	109	4	P1

For use with Legacy Reliance Motor Designs

Frame Size	Catalog Number	List Price	Mult. Sym.
Auxiliary Conduit Box Kits			
180/210	K18G21	102	P1
250	K25G23	112	P1
280	K28G23	131	P1
320	K32G23	139	P1
360	K36G16	260	P1
400	K40G3	277	P1
440	K44G5	591	P1
Drip Cover/Canopy Kit			
180T	K18G2	152	P1
180T	K18G19	152	P1
210T	K21G2	191	P1
210T	K21G19	191	P1
250T	K25G3	462	P1
280T	K28G3	554	P1
Mill and Chemical Duty Kit Cast Iron Shroud and Conduit Box			
180T	K18G50	277	P1
210T	K21G50	379	P1
210T	K21G18	379	P1
250T	K25G50	517	P1
250T	K25G18	517	P1
280T	K28G50	609	P1
280T	K28G18	609	P1
320T	K32G50	665	P1
320T	K32G18	665	P1
360T	K36G50	1,071	P1
360T	K36G18	1,071	P1
Terminal Block Kit			
56-140T	K56G3233	94	P1
180	K18G0060	213	P1
250	K25G0060	250	P1
280	K28G0060	250	P1
320	K32G0060	342	P1
360	K36G0060	517	P1
440	K44G0060	582	P1
447 & 449	K49G0060	970	P1

Gearmotors and Gear Products

Motor Accessories

Grinders

Generators

Servo Motors and Controls

Mod Express

Baldor Education Workshops

Warranties and Sales Policies

Cross Reference and Index

Baldor Sales Offices

Encoder Mounting Kits

Frame Size	Catalog Number	List Price	Mult. Sym.
FL180-RL250	417077-170	1,337	E8
L280-L400	417077-171	1,337	E8
L440	417077-172	1,337	E8
FL180-RL250	417077-136	1,337	E8
FL180-RL250	417708-130	1,337	E8
L280-L400	417708-132	1,337	E8
FL180-RL250	417708-361	1,504	E8
FL180-RL250	417077-153	1,481	E8
L280-L400	417708-85	1,481	E8
L440	417708-121	2,500	E8
FL180-RL250	417077-156	1,910	E8
L280-L400	417708-87	1,910	E8
L440	417708-120	1,910	E8
FL180-RL250	417077-170	1,337	E8
FL180-RL250	417077-136	1,337	E8
FL180-RL250	417708-361	1,504	E8
FL180-RL250	417077-153	1,481	E8
FL180-RL250	417077-156	1,910	E8
FL180-RL250	417708-226	2,030	E8
FL180	417077-173	1,337	E8
RL210	417077-174	2,308	E8
RL250	417077-175	2,308	E8
L280	417077-176	1,337	E8
L320	417077-177	1,337	E8
L360	417077-178	1,337	E8
L400	417077-179	1,337	E8
FL180	417077-165	1,337	E8
RL210	417077-134	2,116	E8
RL250	417077-135	2,116	E8
L280	417708-131	1,337	E8
L320	417708-140	1,337	E8
L360	417708-141	1,337	E8
L400	417708-142	1,337	E8
L280	417708-96	1,910	E8
L320	417708-97	1,910	E8
L360	417708-98	1,910	E8
L400	417708-99	1,910	E8
RL210	417708-227	4,422	E8
RL250	417708-228	4,422	E8

For use with Legacy Reliance Motor Designs

Frame Size	Catalog Number	List Price	Mult. Sym.
FL180-RL210,RL250	417077-180	1,337	E8
FL180-RL210,RL250	417077-133	1,337	E8
FL180-RL210,RL250	417708-371	1,504	E8
L440	417708-132	1,337	E8
L440	417708-121	2,500	E8
L440	417708-120	1,910	E8
Encoder Only			
	417708-230	1,514	E8
	417708-231	1,666	E8
	417708-232	1,514	E8
Stub shaft only			
	417708-201	152	E8
	417708-202	152	E8
	417708-203	152	E8
	417708-204	152	E8
	417708-207	152	E8
	417708-206	152	E8
	417708-206	152	E8
	417708-210	152	E8
	417708-212	152	E8
	417708-212	152	E8
	417708-208	152	E8
	417708-209	152	E8
	417708-42	205	E8
	417708-157	256	E8
Replacement Blower Kits			
RL210	417077-144	832	E8
RL250	417077-145	1,625	E8
L280	419947-31	1,620	A8
L320	419947-33	1,802	A8
L360	419947-35	2,059	E8
L400	417077-75	2,726	A8
FL180	417077-143	832	E8
RL210-RL250	417077-141	1,058	E8