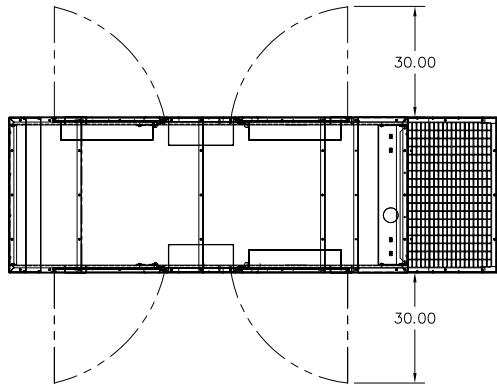


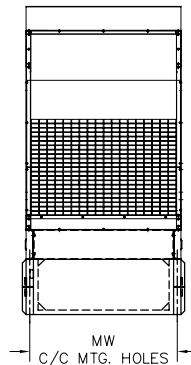
BALDOR GENERATORS

GENERAL INSTALLATION FOR IDLC GENERATORS

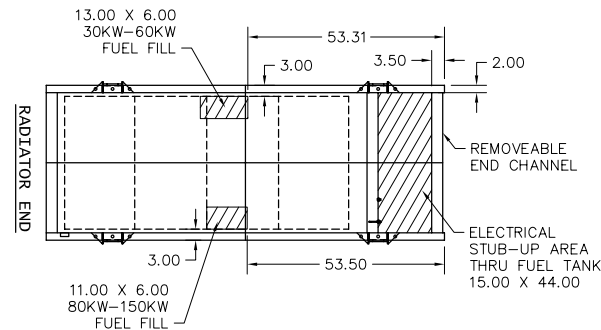
UL2200 MODEL #	MODEL #	OVERALL LENGTH L	OVERALL WIDTH W	OVERALL HEIGHT H	HOOD LENGTH HL	MOUNTING HOLE 1 M1	MOUNTING HOLE 2 M2	MOUNTING WIDTH MW	TANK HEIGHT TH (12-17 HRS)	TANK HEIGHT TH (24-34 HRS)		
IDLC30-2JU	IDLC30-2J	93	42	56	21	14.00	58.00	40.00	8	12		
IDLC40-2JU	IDLC40-2J	105					70.00		9	15		
IDLC50-2JU	IDLC50-2J								117	78.00	12	22
IDLC60-2JU	IDLC60-2J	132		90.00	15	26						
IDLC80-3JU	IDLC80-3J				62	18.00	24		18.00	78.00	12	22
IDLC100-3JU	IDLC100-3J											
IDLC125-3JU	IDLC125-3J	IDLC125-3J	IDLC125-3J	IDLC125-3J	IDLC125-3J	IDLC125-3J	IDLC125-3J	IDLC125-3J	IDLC125-3J			
IDLC150-3JU	IDLC150-3J	IDLC150-3J	IDLC150-3J	IDLC150-3J	IDLC150-3J	IDLC150-3J	IDLC150-3J	IDLC150-3J	IDLC150-3J	IDLC150-3J		



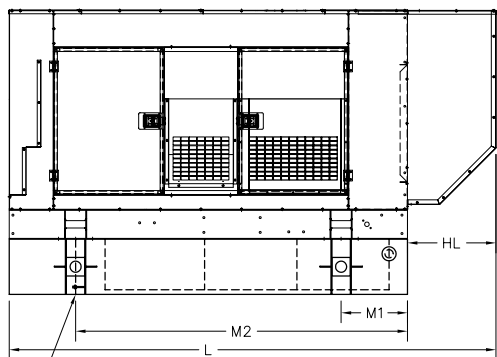
PLAN VIEW



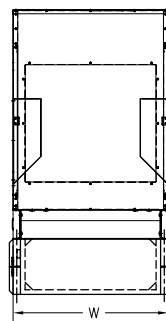
REAR VIEW



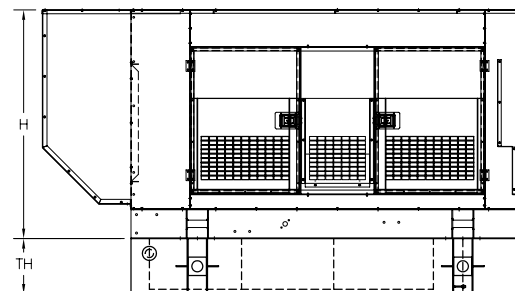
PLAN VIEW OF TANK ONLY



RIGHT SIDE VIEW



FRONT VIEW



LEFT SIDE VIEW

NOTES:

FOR PRODUCT DATA REFER TO BALDOR MODEL SPEC SHEETS

FOR INSTALLATION RECOMMENDATIONS REFER TO GEN SET MANUAL MN2407

ALL DIMENSIONS IN INCHES

DRAWING TO SCALE

TOLERANCES UNLESS OTHERWISE SPECIFIED
DECIMALS .XX ±.25 FRACTIONS ±1/4

(4) ϕ .75 MTG. HOLES

CUSTOMER IS RESPONSIBLE FOR DETERMINING THAT MOTOR PERFORMANCE IS SUITABLE IN THE APPLICATION.

REV. DESC: UPDATE TABLE		
REV. LTR: C	VERSION: 03	TDR: 000000451565
FILE: \PGA\00010\468	REVISED: 14:27:22 12/13/2007	BY: PGCONB0
MTL: -	TAB: SA_IS_30_150	

BALDOR • DODGE • RELIANCE

IDLC 30-500-07E