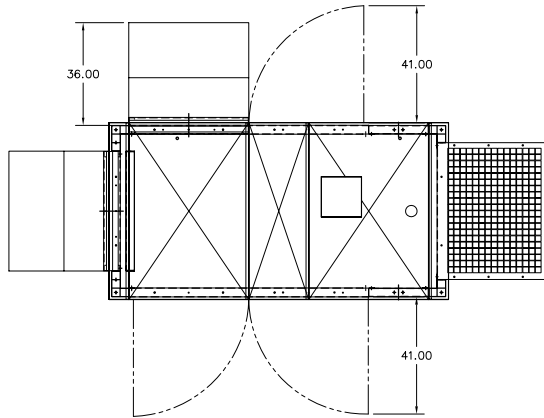


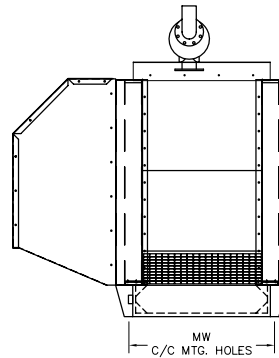
BALDOR GENERATORS

GENERAL INSTALLATION FOR IDLC GENERATORS

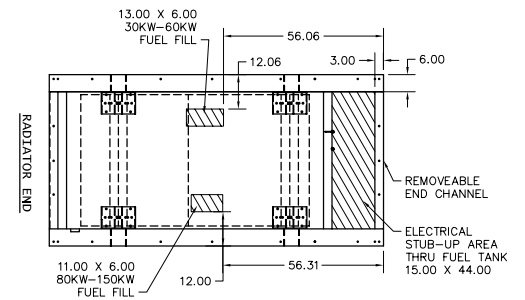
| UL2200 MODEL # | MODEL # | OVERALL LENGTH L | OVERALL WIDTH W | OVERALL HEIGHT H | HOOD LENGTH HL | BASE WIDTH BW | MOUNTING HOLE 1 M1 | MOUNTING HOLE 2 M2 | MOUNTING WIDTH MW | TANK HEIGHT TH (12-17 HRS) | TANK HEIGHT TH (24-34 HRS) | TANK HEIGHT TH (FRAME ONLY) |
|-------------------|------------|------------------------|-----------------------|------------------------|----------------------|---------------------|--------------------------|--------------------------|-------------------------|----------------------------------|----------------------------------|-----------------------------------|
| IDLC30-2J | IDLC30-2J | 168 | 96 | 82 | 36 | 54 | 18.00 | 62.00 | 51.00 | 8 | 9 | 8 |
| IDLC40-2J | IDLC40-2J | | | | | | | 74.00 | | | 14 | |
| IDLC50-2J | IDLC50-2J | | | | | | | 82.00 | | | | |
| IDLC60-2J | IDLC60-2J | 189 | 96 | 94 | 36 | 54 | 22.00 | 82.00 | 51.00 | 11 | 14 | 8 |
| IDLC80-3J | IDLC80-3J | | | 96 | | | | 94.00 | | | | |
| IDLC100-3J | IDLC100-3J | | | 96 | | | | 94.00 | | | | |
| IDLC125-3J | IDLC125-3J | | | | | | | 94.00 | | | | |
| IDLC150-3J | IDLC150-3J | | | | | | | | | | | |



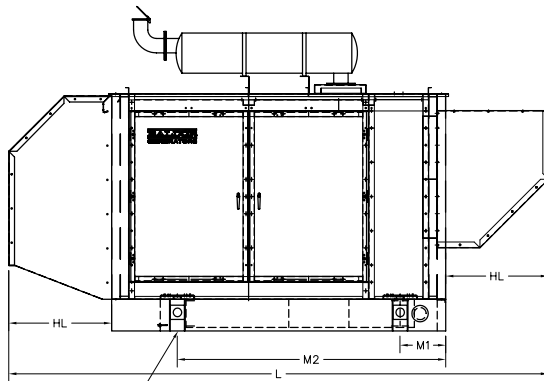
PLAN VIEW



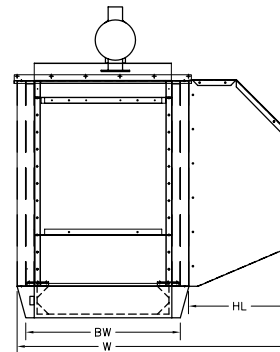
REAR VIEW



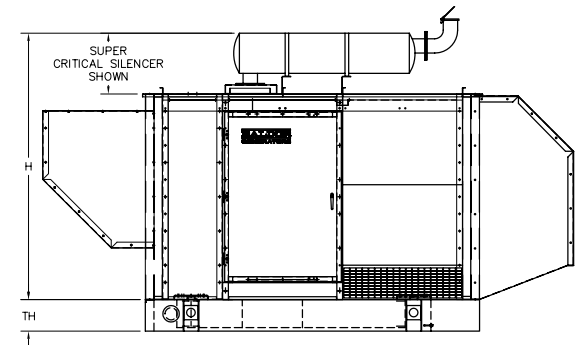
PLAN VIEW OF TANK ONLY



RIGHT SIDE VIEW



FRONT VIEW



LEFT SIDE VIEW

NOTES:

FOR PRODUCT DATA REFER TO
BALDOR MODEL SPEC SHEETS

FOR INSTALLATION RECOMMENDATIONS
REFER TO GEN SET MANUAL MN2407

ALL DIMENSIONS IN INCHES

DRAWING TO SCALE

TOLERANCES UNLESS OTHERWISE SPECIFIED
DECIMALS .XX ±.25 FRACTIONS ±1/4

CUSTOMER IS RESPONSIBLE FOR DETERMINING THAT MOTOR PERFORMANCE IS SUITABLE IN THE APPLICATION.

| | | |
|-------------------------|------------------------------|-------------------|
| REV. DESC: UPDATE TABLE | | |
| REV. LTR: C | VERSION: 03 | TDR: 000000451565 |
| FILE: \PGA\00010\468 | REVISED: 14:27:54 12/13/2007 | BY: PGCONBO |
| MTL: - | TAB: SA_L2_30_150 | |

BALDOR • DODGE • RELIANCE

IDLC 30-500-07E